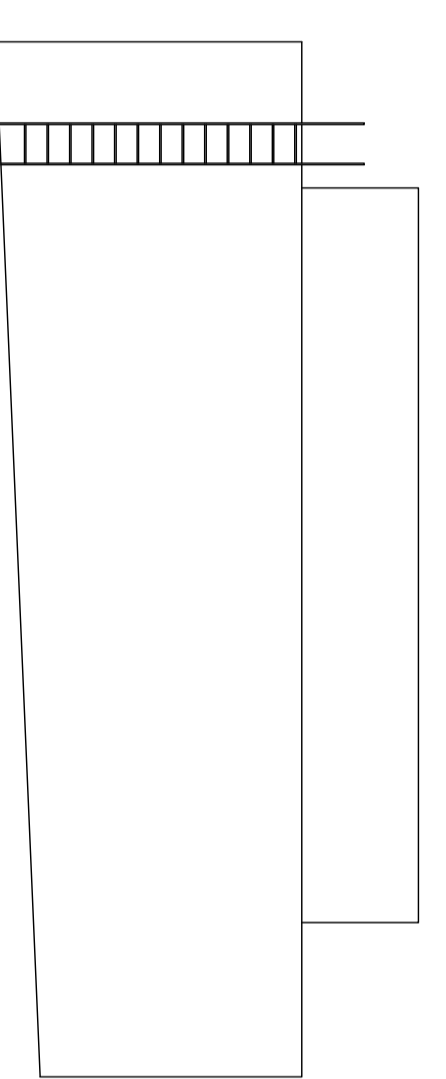
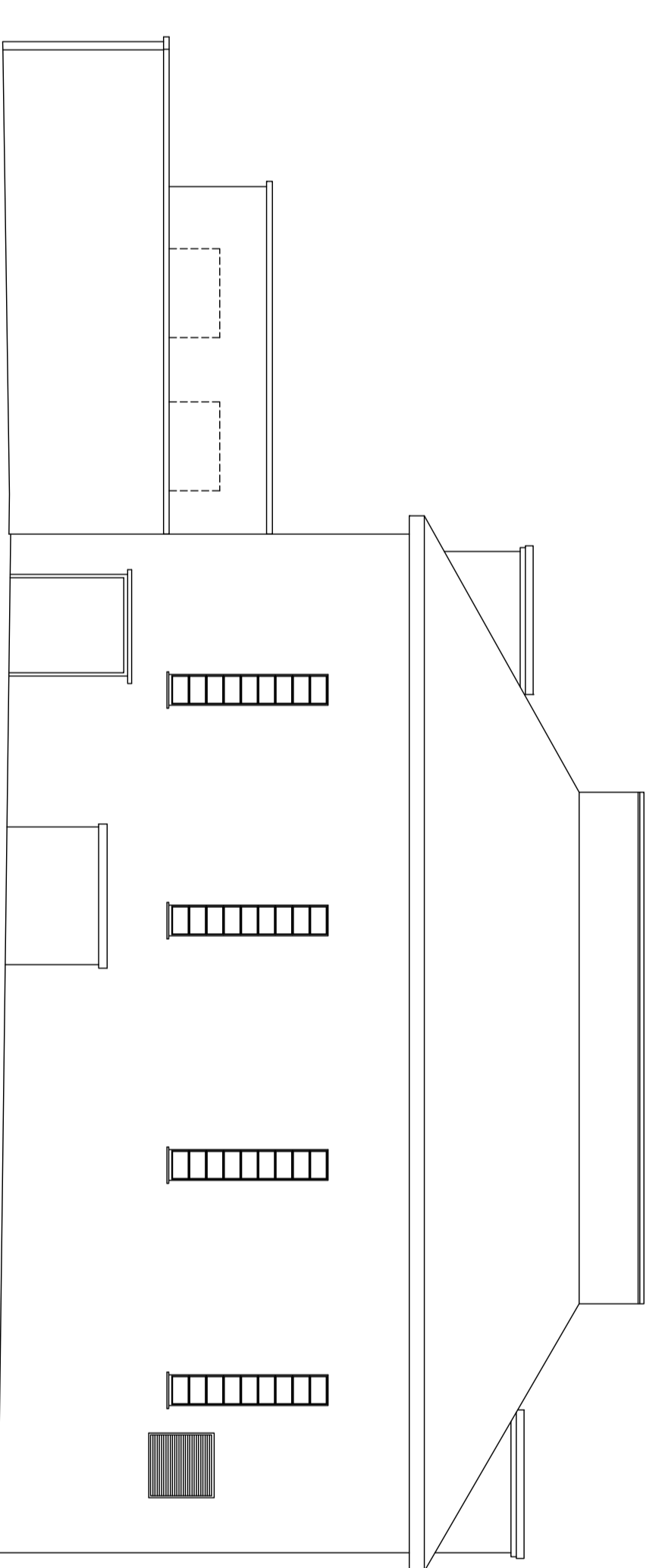


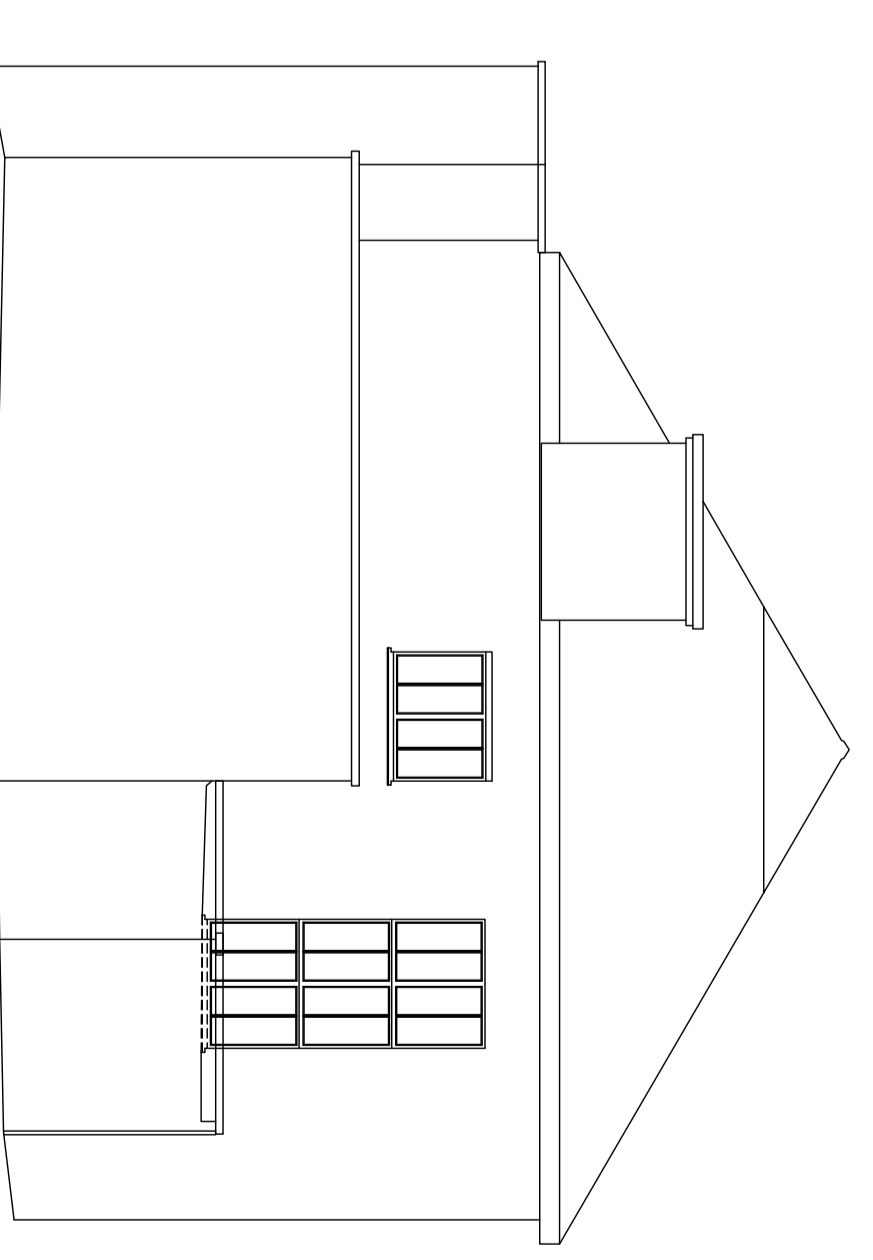
Building 5 Adjacent
West Elevation



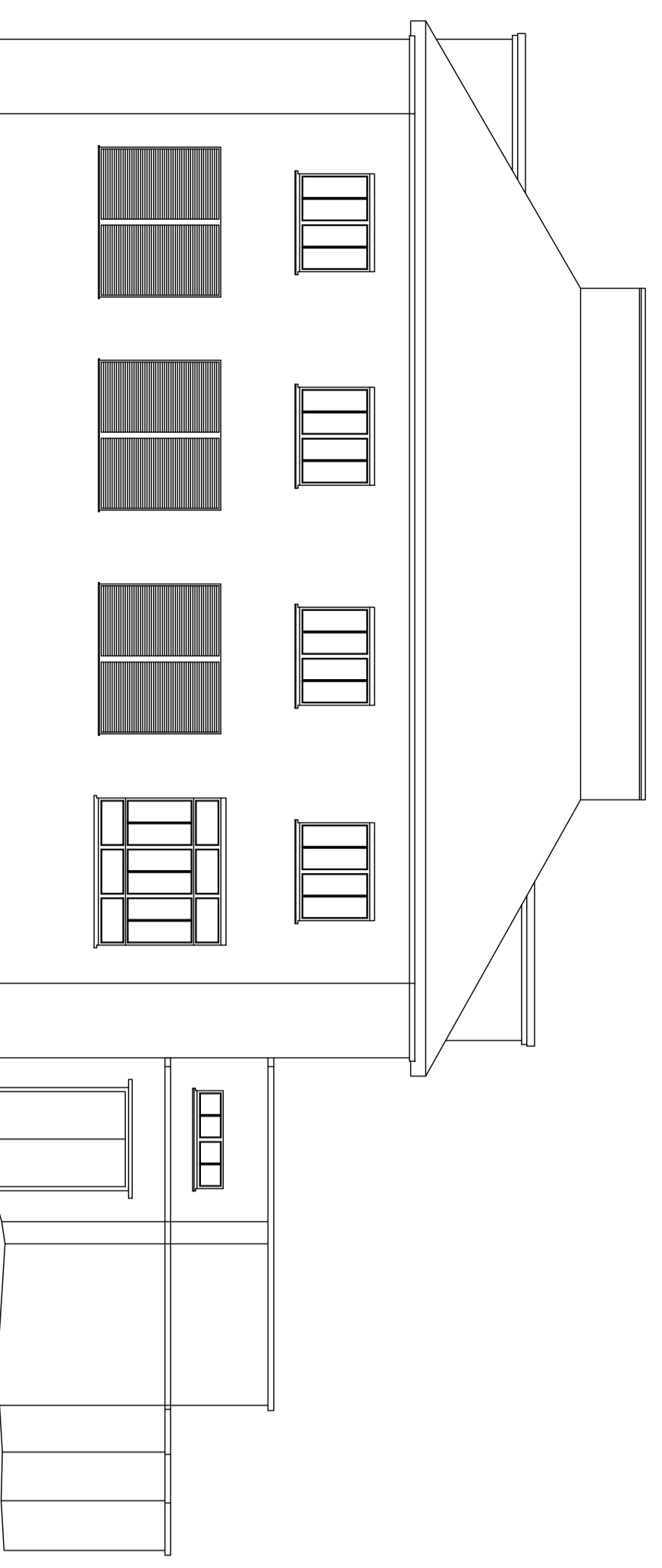
Building 5 Adjacent
North Elevation



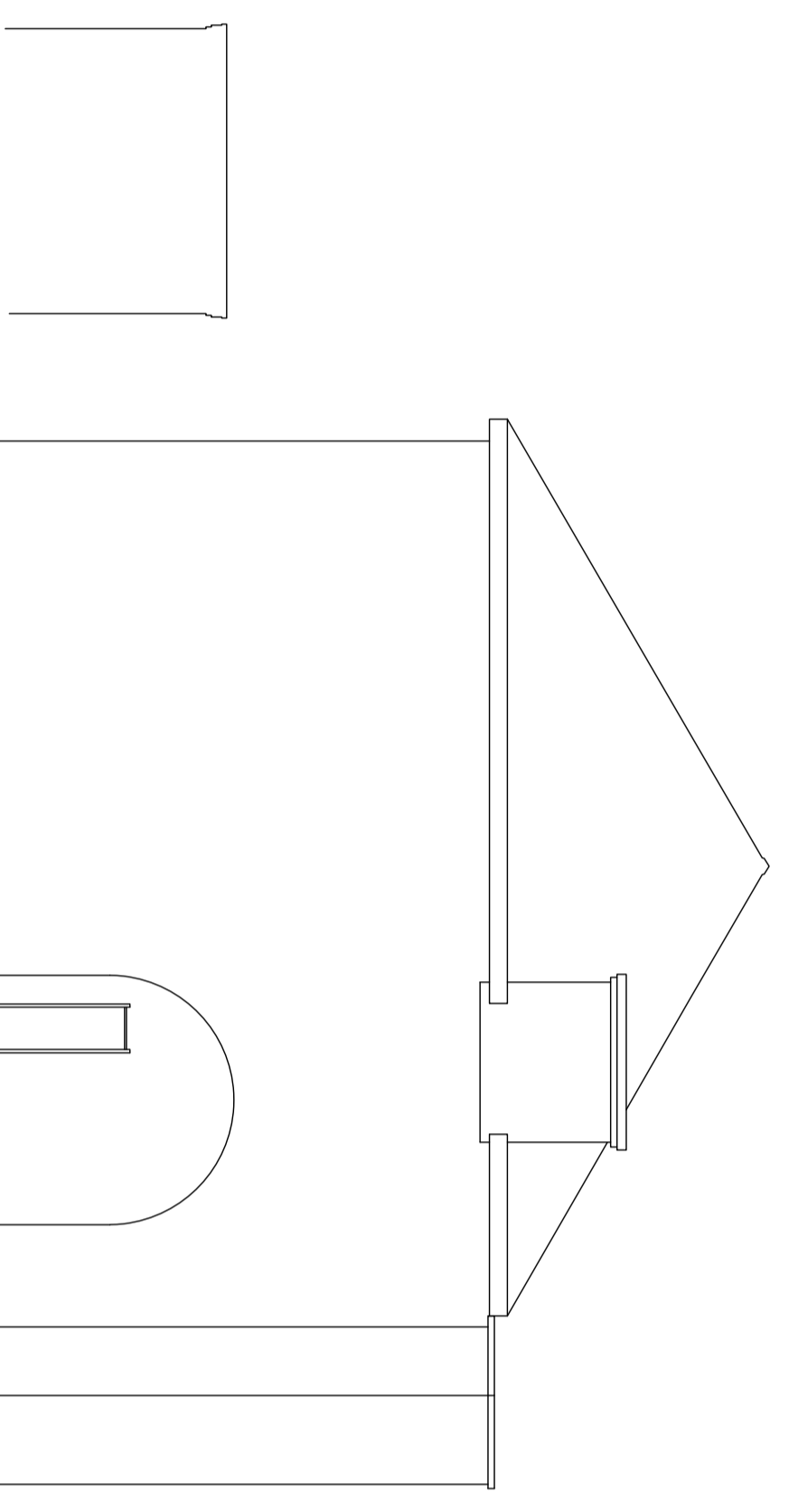
Building 6
West Elevation



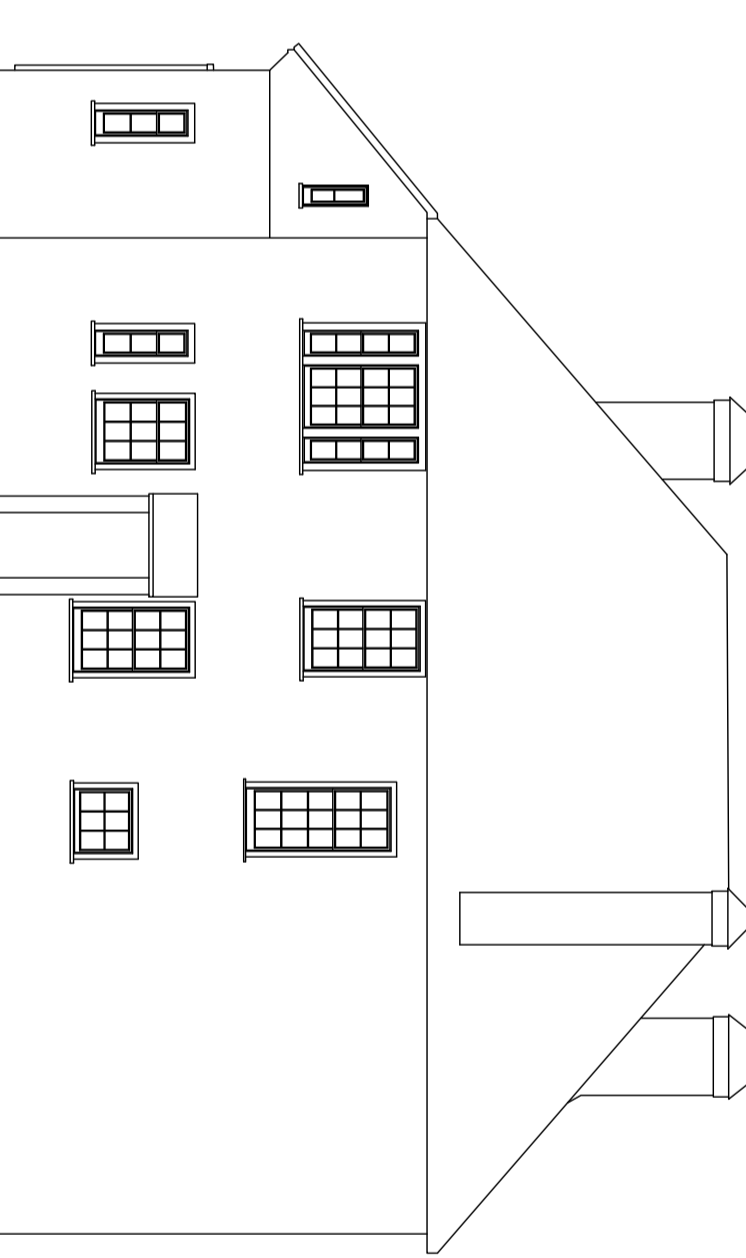
Building 6
North Elevation



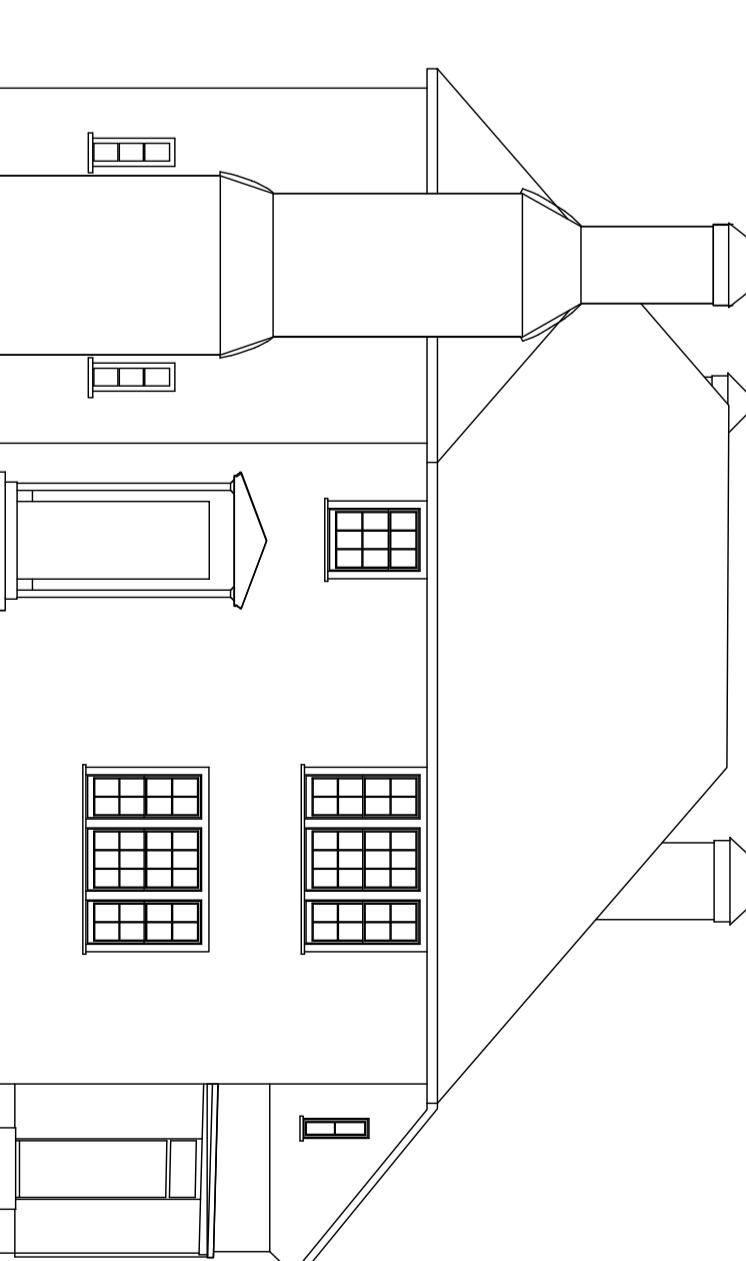
Building 6
East Elevation



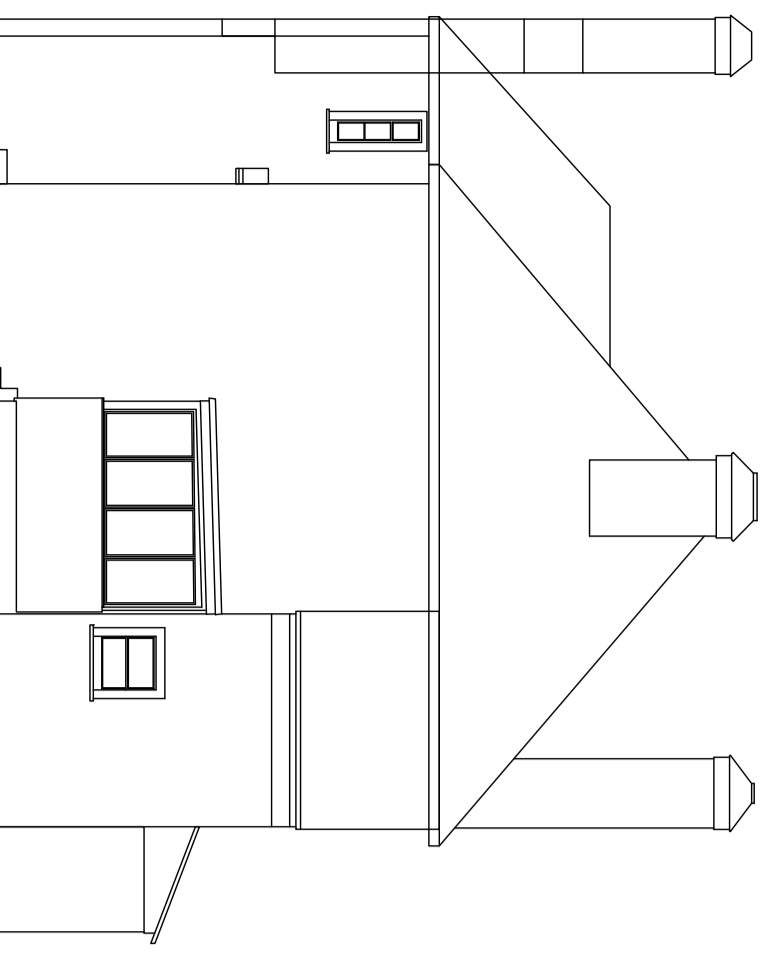
Building 6
South Elevation



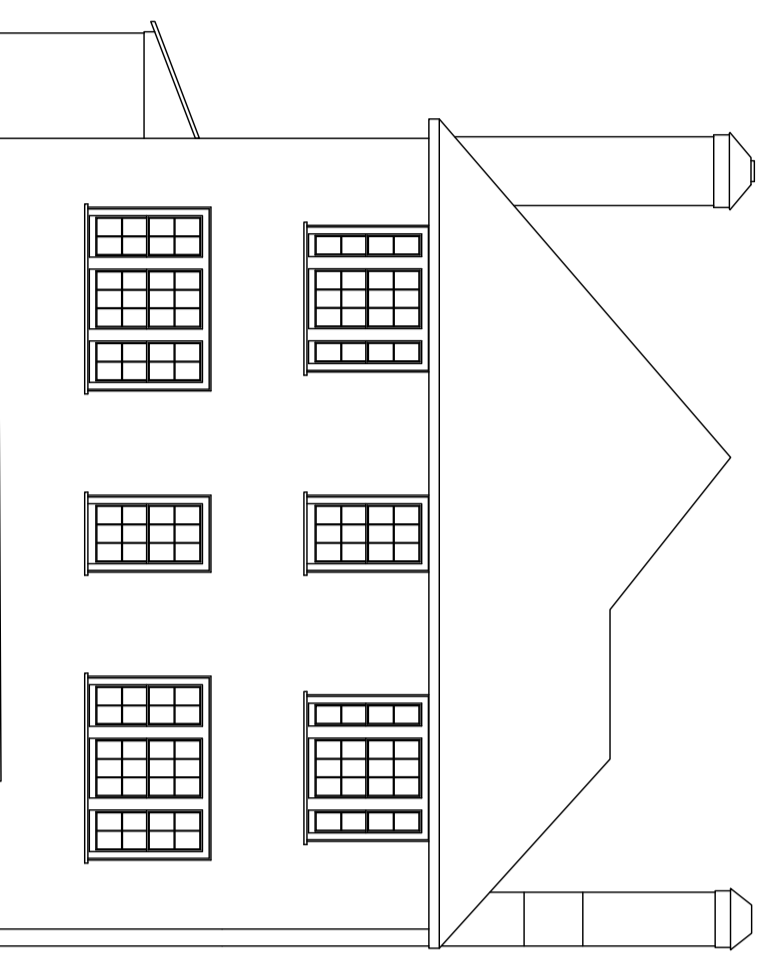
Building 7
North Elevation



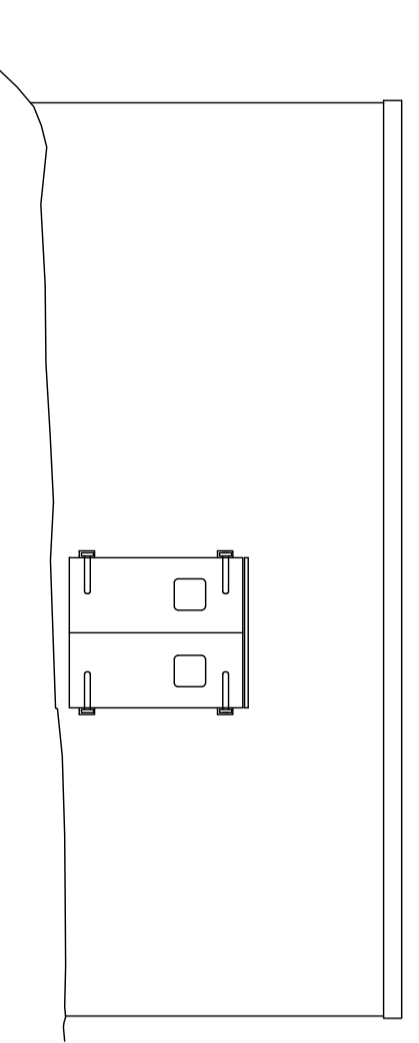
Building 7
South Elevation



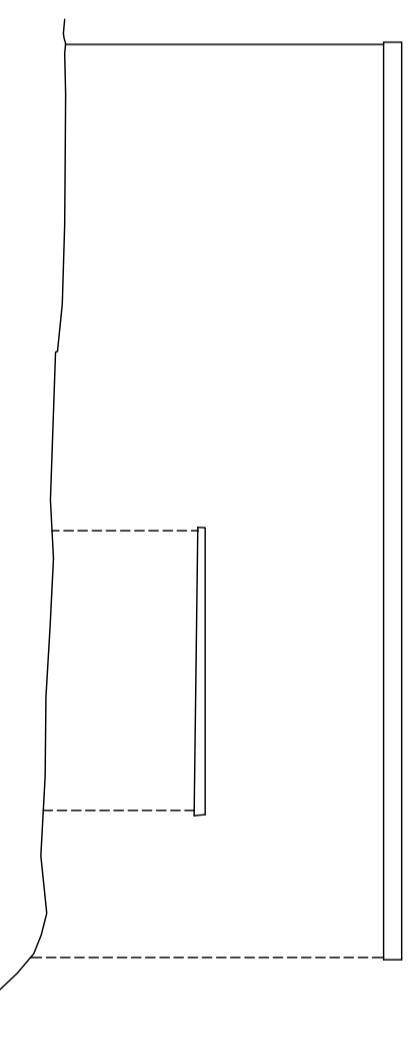
Building 7
East Elevation



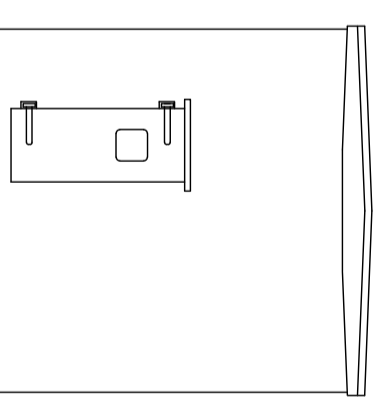
Building 7
West Elevation



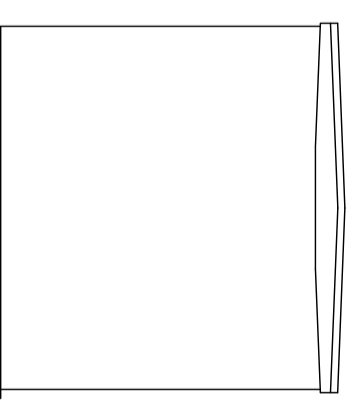
Building 8
North Elevation



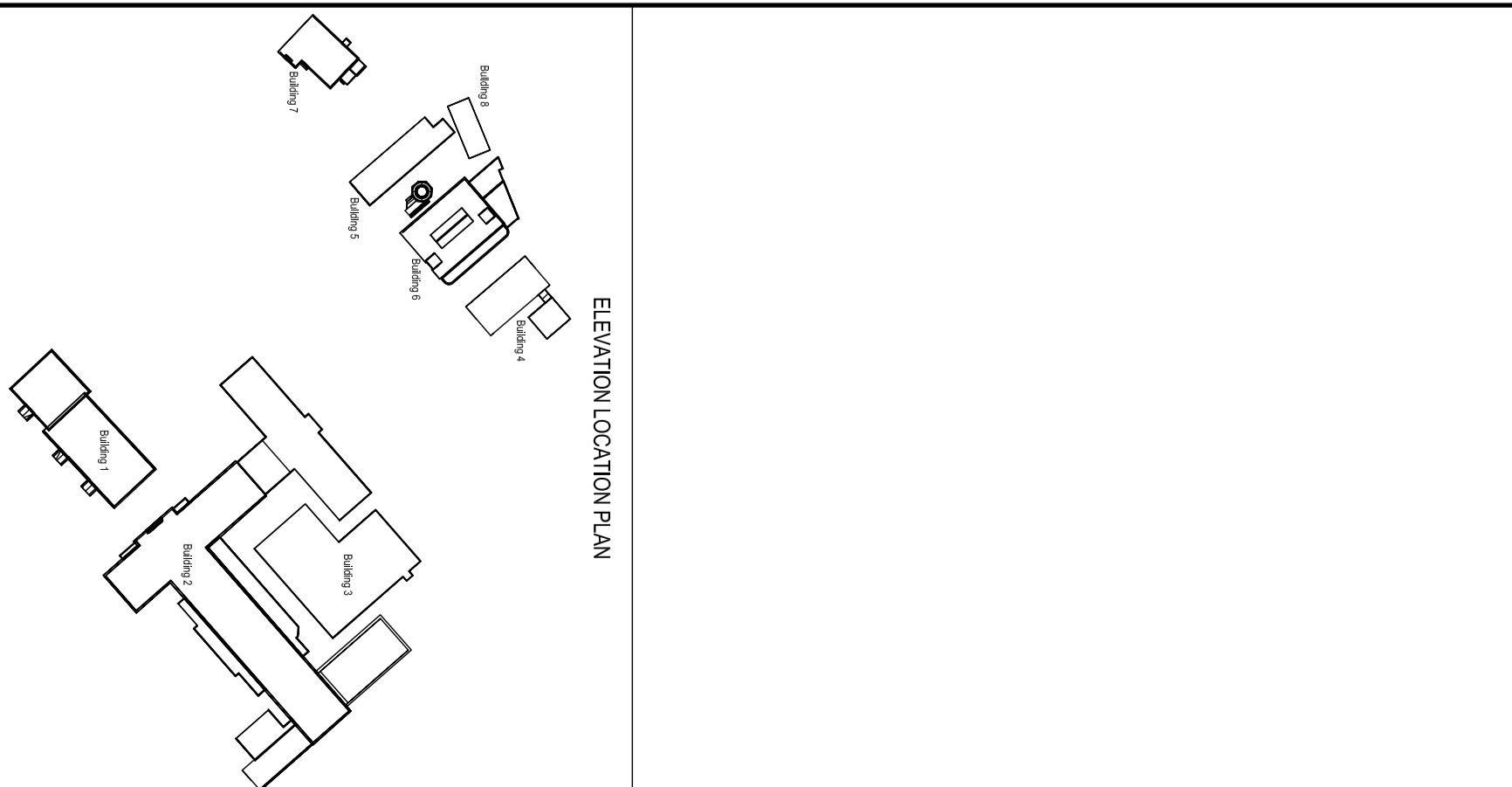
Building 8
South Elevation



Building 8
West Elevation



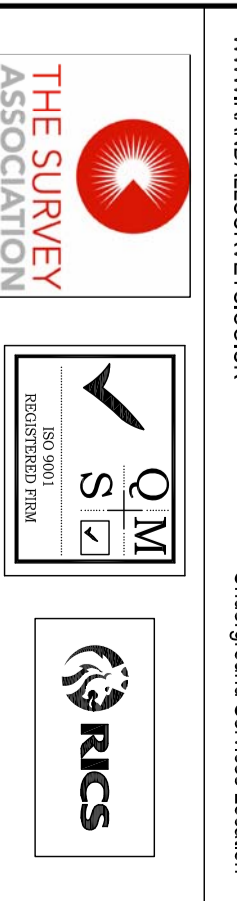
Building 8
East Elevation



ABBREVIATIONS table listing architectural abbreviations for materials and components.

NOTES section containing technical instructions and drawing specifications.

PLAN PRODUCTION BY RANDALL SURVEYS LLP. Includes contact information for the surveying firm.



PROJECT NAME: EPSOM HOSPITAL LATER LIVING SCHEME.

DRAWING TITLE: ELEVATIONS BUILDING 5 ADJACENT - 8

SCALE, DATE, CHECKED, and REVISION table detailing drawing metadata.